

Product Information



SMILES

5523PJI050B10 CAT red

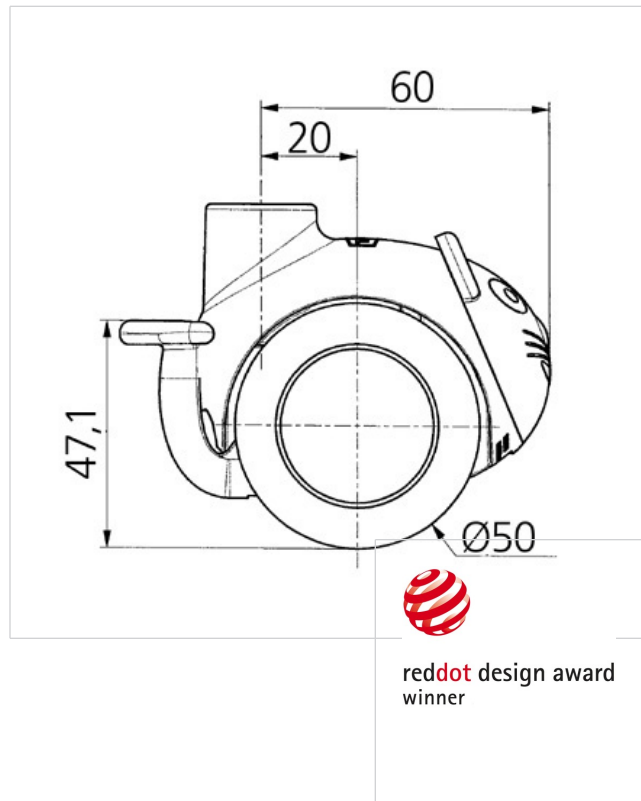
EAN 4031582338317

Swivel caster with intermittend brake, housing made of Polyamide. Wheel center made of Polypropylene, Tread: TENTEprene (thermoplastic rubber), grey non-marking, plain bearing, stem with circlip

Technical Data

Wheel diameter	1.97 in
Tread width	0.33 in
Caster width	2.14 in
Metal stem with circlip	0.43 x 0.79 in
Dome-Ø	0.91 in
Offset	0.79 in
Swivel Interference	4.72 in
Overall height	2.97 in
Temperature	- 14 / + 104 °F
Standard	EN 12529
Weight	0.300 lbs
Load capacity (dynamic)	90 lbs
Load capacity (static)	175 lbs
Swivel Radius	2.36 in
Hardness of tread	A 87 Shore

Roll performance	+	+	+	+	+
Movement noise	+	+	+	+	+
Attrition	+	+	+	+	+
Corrosion resistance	+	+	+	+	+



Product Information



SMILES

5523PJI050B10 CAT red

EAN 4031582338317

