

# Product Information



## 4687TOP125P63

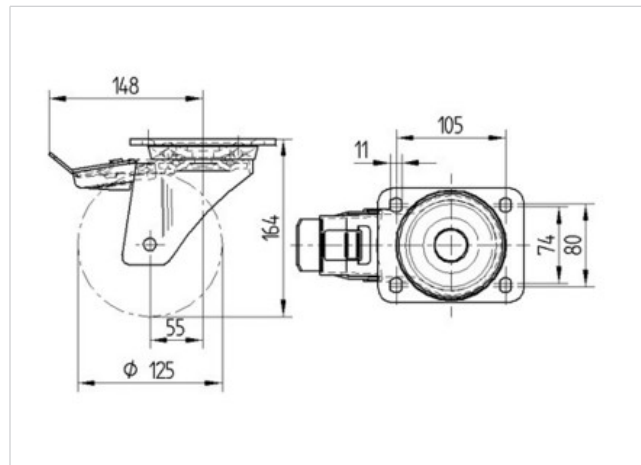
EAN 4031582308174

Swivel caster with total lock, trailing end of caster, housing made of very heavy pressed steel, reinforced, bright zinc plated, blue passivated, sealed swivel double ball bearing, reinforced and heat-treated ball covers, riveted king pin, wheel axle with nut. Wheel center made of Polyamide, heavy duty, precision ball bearing, plate fitting



### Technical Data

Wheel diameter	4.92 in
Tread width	1.97 in
Plate size	5.51 x 4.33 in
Plate hole centers	4.13 x 3.15/2.91 in
Plate hole	0.43 in
Offset	2.17 in
Swivel Interference	14.17 in
Overall height	6.46 in
Temperature	- 40 / + 176 °F
Standard	EN 12532
Weight	6.839 lbs
Load capacity (dynamic)	1545 lbs
Load capacity (static)	3085 lbs
Hardness of tread	D 75 Shore



Roll performance	+	+	+	+	+
Movement noise	+	+	+	+	+
Attrition	+	+	+	+	+
Corrosion resistance	+	+	+	+	+

# Product Information



## 4687TOP125P63

EAN 4031582308174

