

# Product Information



## SVP645x500-Ø80

EAN 4031582322477

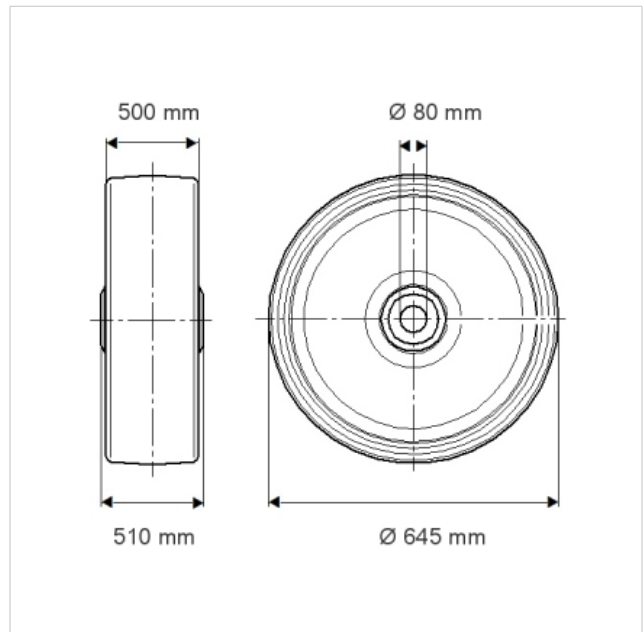
Wheel center made of pressed steel, lacquered, heavy duty, Tread: solid rubber, black, precision ball bearing

### Technical Data

Wheel diameter	25.39 in
Tread width	19.69 in
Axle Hole-Ø	3.15 in
Hub length	20.08 in
Temperature	- 4 / + 185 °F
Standard	EN 12533
Weight	404.921 lbs
Load capacity (dynamic)	17260 lbs
Load capacity (static)	34525 lbs
Hardness of tread	A 70 Shore



Roll performance	+	+	+	+	+
Movement noise	+	+	+	+	+
Attrition	+	+	+	+	+
Corrosion resistance	+	+	+	+	+



# Product Information



## SVP645x500-Ø80

EAN 4031582322477

