

Product Information



9681FVP300P64

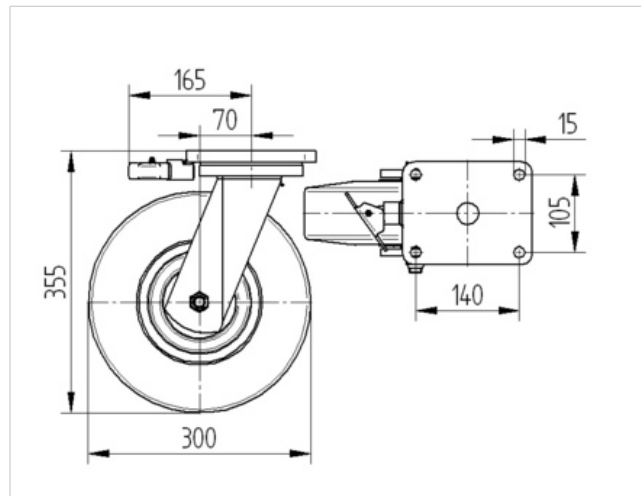
EAN 4031582315516

Swivel caster with directional lock, housing and plate steel-welded, bright zinc plated, blue passivated, sealed single swivel double ball bearing, threaded king pin and locking nut secured, grease nipple, wheel axle with nut. Wheel center made of cast iron, Tread: solid rubber, black, precision ball bearing, plate fitting

Technical Data

Wheel diameter	11.81 in
Tread width	3.35 in
Plate size	6.89 x 5.51 in
Plate hole centers	5.51 x 4.13 in
Plate hole	0.59 in
Offset	2.76 in
Swivel Interference	10.31 in
Overall height	13.98 in
Temperature	- 4 / + 185 °F
Standard	EN 12533
Weight	50.766 lbs
Load capacity (dynamic)	1765 lbs
Load capacity (static)	3525 lbs
Hardness of tread	A 70 Shore

Roll performance	+	+	+	+	+
Movement noise	+	+	+	+	+
Attrition	+	+	+	+	+
Corrosion resistance	+	+	+	+	+



Product Information



9681FVP300P64

EAN 4031582315516

