

# Product Information



## ETP075x40-Ø20 HL40

EAN 4031582318487

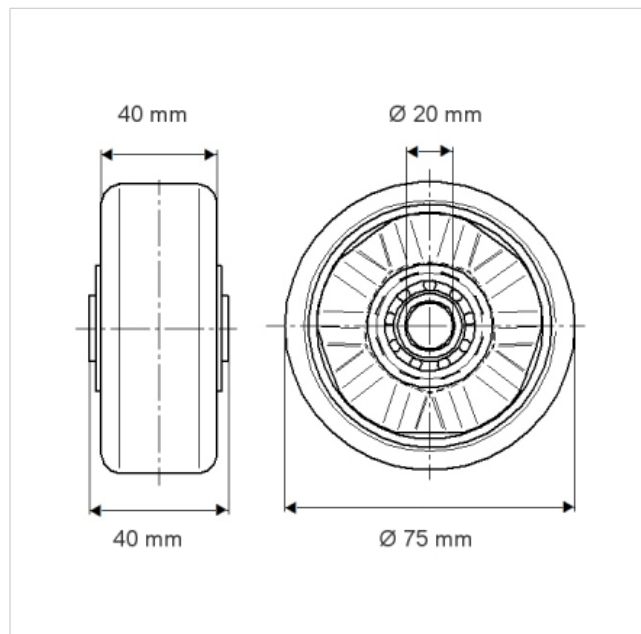
Wheel center made of steel, Tread: Polyurethane, casted, precision ball bearing.

Load capacities on a smooth, even surface.

### Technical Data

Wheel diameter	2.95 in
Tread width	1.57 in
Axle Hole-Ø	0.79 in
Hub length	1.57 in
Temperature	- 4 / + 140 °F
Weight	1.737 lbs
Load capacity (dynamic)	770 lbs
Load capacity (static)	1545 lbs
Hardness of tread	A 92 Shore
Bearing	6204ZV

Roll performance	+	+	+	+	+
Movement noise	+	+	+	+	+
Attrition	+	+	+	+	+
Corrosion resistance	+	+	+	+	+



# Product Information



## ETP075x40-Ø20 HL40

EAN 4031582318487

