

# Product Information



## 3477UFR200P63

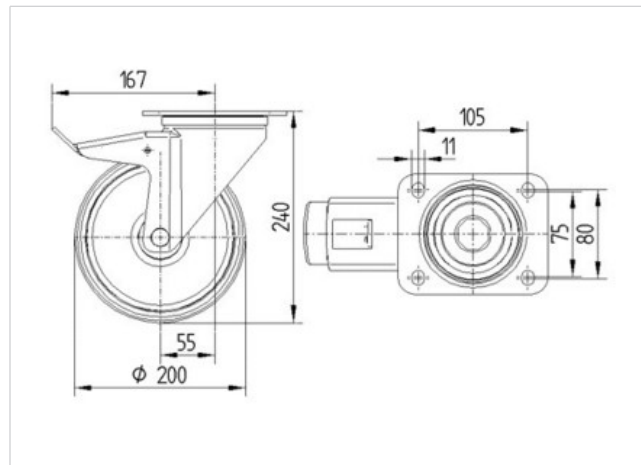
EAN 4031582305975

Swivel caster with total lock, trailing end of caster, housing made of pressed steel, bright zinc plated, blue passivated, double ball bearing swivel head, wheel axle with nut, dustguard. Wheel center made of Polyamide, Tread: elastic-tire, non-marking, roller bearing, plate fitting



### Technical Data

Wheel diameter	7.87 in
Tread width	1.81 in
Plate size	5.39 x 4.13 in
Plate hole centers	4.13 x 3.15/2.95 in
Plate hole	0.43 in
Offset	2.17 in
Swivel Interference	13.15 in
Overall height	9.45 in
Temperature	- 4 / + 176 °F
Standard	EN 12532
Weight	6.594 lbs
Load capacity (dynamic)	880 lbs
Load capacity (static)	1765 lbs
Swivel Radius	6.57 in
Hardness of tread	A 64 Shore



Roll performance	+	+	+	+	+
Movement noise	+	+	+	+	+
Attrition	+	+	+	+	+
Corrosion resistance	+	+	+	+	+

# Product Information



## 3477UFR200P63

EAN 4031582305975

