

Product Information



3477UFR100P62 blue

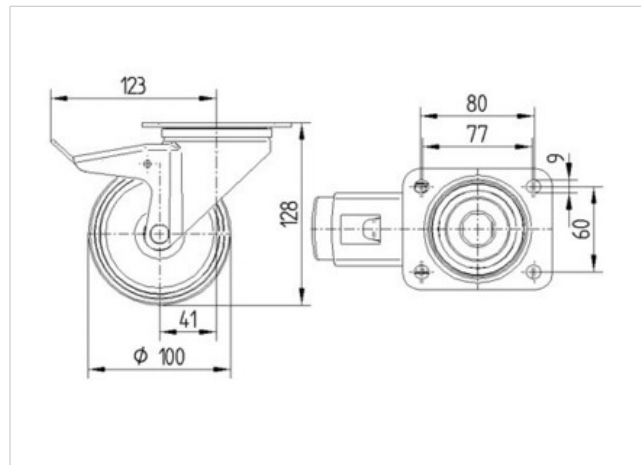
EAN 4031582305890

Swivel caster with total lock, trailing end of caster, housing made of pressed steel, bright zinc plated, blue passivated, double ball bearing swivel head, wheel axle with nut, dustguard. Wheel center made of Polyamide, Tread: elastic-tire, non-marking, roller bearing, plate fitting



Technical Data

Wheel diameter	3.94 in
Tread width	1.34 in
Plate size	4.13 x 3.35 in
Plate hole centers	3.15/3.03 x 2.36 in
Plate hole	0.35 in
Offset	1.61 in
Swivel Interference	9.69 in
Overall height	5.04 in
Temperature	- 4 / + 176 °F
Standard	EN 12532
Weight	2.306 lbs
Load capacity (dynamic)	355 lbs
Load capacity (static)	705 lbs
Swivel Radius	4.84 in
Hardness of tread	A 64 Shore



Roll performance	+	+	+	+	+
Movement noise	+	+	+	+	+
Attrition	+	+	+	+	+
Corrosion resistance	+	+	+	+	+

Product Information



3477UFR100P62 blue

EAN 4031582305890

