

Product Information



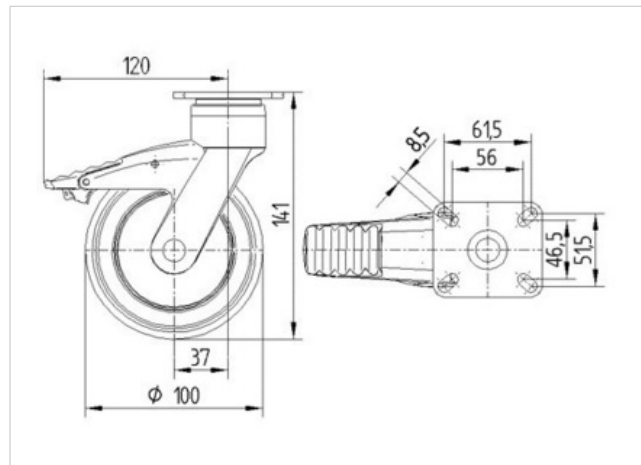
5321PJP100P50

EAN 4031582367584

Swivel caster with directional lock, housing and wheels made from high grade synthetic materials, with integrated threadguards, all metal parts are bright zinc plated, yellow thick layer passivated. Wheel center made of Polypropylene, Tread: TENTEprene (thermoplastic rubber), grey non-marking, precision ball bearing, with threadguards, plate fitting



Technical Data	
Wheel diameter	3.94 in
Tread width	1.26 in
Plate size	3.03 x 2.64 in
Plate hole centers	2.42/2.20 x 2.03/1.83
Plate hole	0.33 in
Offset	1.46 in
Swivel Interference	7.83 in
Overall height	5.55 in
Temperature	- 14 / + 104 °F
Standard	EN 12530
Weight	1.318 lbs
Load capacity (dynamic)	220 lbs
Load capacity (static)	440 lbs
Hardness of tread	A 87 Shore



Roll performance	+	+	+	+	+
Movement noise	+	+	+	+	+
Attrition	+	+	+	+	+
Corrosion resistance	+	+	+	+	+



Product Information



5321PJP100P50

EAN 4031582367584

