

Product Information



ETP060x25-Ø20 HL12

EAN 4031582318470

Wheel center made of steel, Tread: Polyurethane, casted, precision ball bearing.

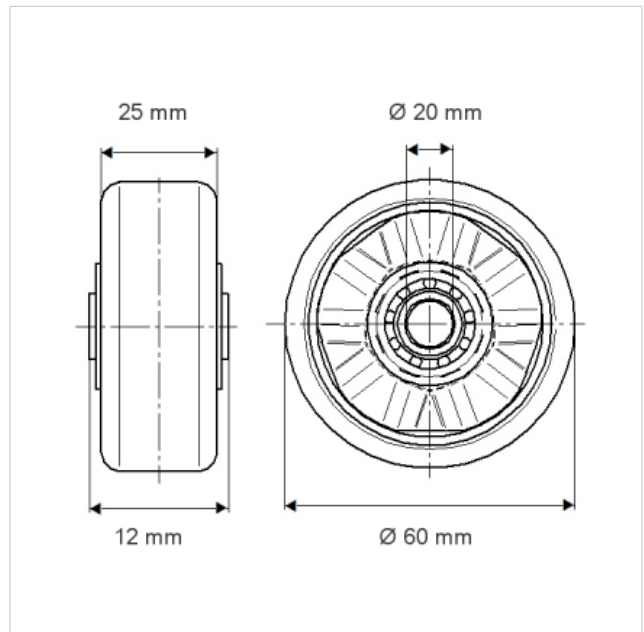
Load capacities on a smooth, even surface.

Technical Data

Wheel diameter	2.36 in
Tread width	0.98 in
Axle Hole-Ø	0.79 in
Hub length	0.47 in
Temperature	- 4 / + 140 °F
Weight	0.353 lbs
Load capacity (dynamic)	310 lbs
Load capacity (static)	615 lbs
Hardness of tread	A 92 Shore



Roll performance	+	+	+	+	+
Movement noise	+	+	+	+	+
Attrition	+	+	+	+	+
Corrosion resistance	+	+	+	+	+



Product Information



ETP060x25-Ø20 HL12

EAN 4031582318470

