

Product Information



INTEGRAL

2044UAP150R36-32S30

EAN 4031582300192

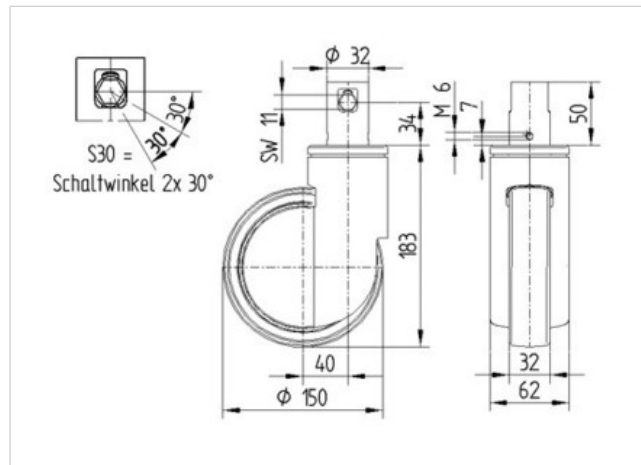
Swivel Caster with central, total or directional lock, Frame made of pressed steel, precision ball bearing in swivel head and wheel, housing cover made of synthetic plastic. Wheel center made of Polyamide, Tread: Polyurethane, precision ball bearing, stem with cam hole for profile bars, short version

Hint:TÜV Süd certified product.

Technical Data

Wheel diameter	5.91 in
Tread width	1.26 in
Bolt-Ø	1.26 in
Bolt length	1.97 in
Offset	1.57 in
Swivel Interference	9.06 in
Overall height	7.20 in
Temperature	- 22 / + 176 °F
Standard	EN 12531
Weight	2.621 lbs
Load capacity (dynamic)	330 lbs
Load capacity (static)	660 lbs
Swivel Radius	4.53 in
Hardness of tread	D 40 Shore

Roll performance	+	+	+	+	+
Movement noise	+	+	+	+	+
Attrition	+	+	+	+	+
Corrosion resistance	+	+	+	+	+



Product Information



INTEGRAL

2044UAP150R36-32S30

EAN 4031582300192

