

Product Information



INTEGRAL

2046UAP150R36-32S30

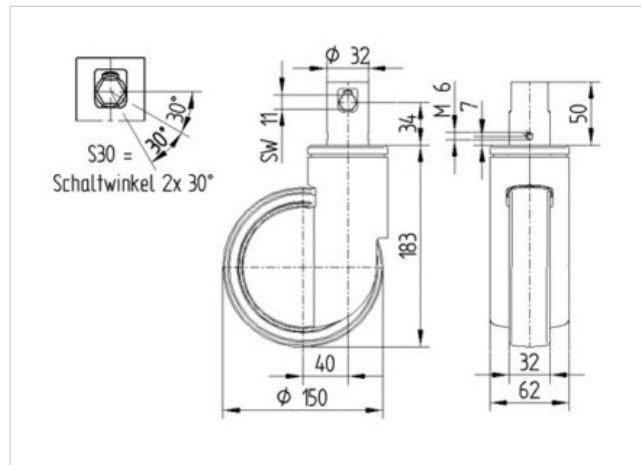
EAN 4031582300253

Swivel caster with central lock, Frame made of pressed steel, precision ball bearing in swivel head and wheel, housing cover made of synthetic plastic. Wheel center made of Polyamide, Tread: Polyurethane, precision ball bearing, stem with cam hole for profile bars, short version

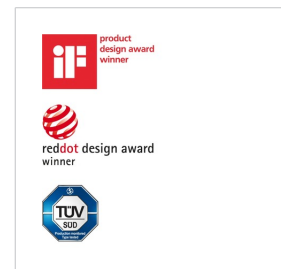
Hint:TÜV Süd certified product.



Technical Data	
Wheel diameter	5.91 in
Tread width	1.26 in
Bolt-Ø	1.26 in
Bolt length	1.97 in
Offset	1.57 in
Swivel Interference	9.06 in
Overall height	7.20 in
Temperature	- 22 / + 176 °F
Standard	EN 12531
Weight	2.427 lbs
Load capacity (dynamic)	330 lbs
Load capacity (static)	660 lbs
Swivel Radius	4.53 in
Hardness of tread	D 40 Shore



Roll performance	+	+	+	+	+
Movement noise	+	+	+	+	+
Attrition	+	+	+	+	+
Corrosion resistance	+	+	+	+	+



Product Information



INTEGRAL

2046UAP150R36-32S30

EAN 4031582300253

