

# Product Information

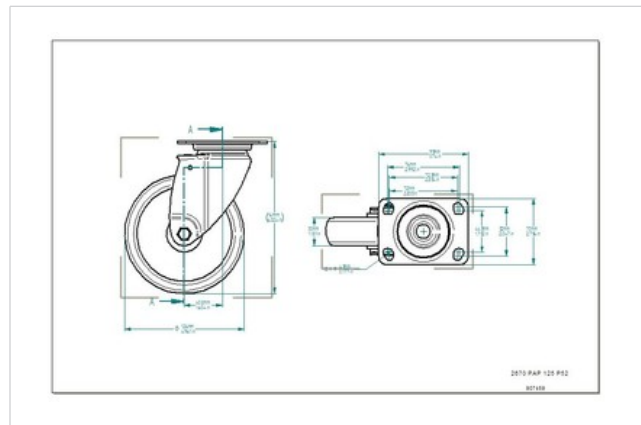


## 2670PAP125P52-95x70

Swivel caster, housing made of pressed steel, bright zinc plated, blue passivated, double ball bearing swivel head. Wheel center made of Polypropylene, Tread: Polyurethane, precision ball bearing, plate fitting



Technical Data	
Wheel diameter	4.92 in
Tread width	1.18 in
Plate size	3.74 x 2.76 in
Plate hole centers	1.75 x 3.00 in
Plate hole	0.31 in
Offset	1.61 in
Swivel Interference	8.15 in
Overall height	6.30 in
Temperature	- 4 / + 140 °F
Standard	EN 12530
Load capacity (dynamic)	220 lbs
Load capacity (static)	440 lbs
Swivel Radius	4.07 in
Hardness of tread	95 -100 Shore



Roll performance	+	+	+	+	+
Movement noise	+	+	+	+	+
Attrition	+	+	+	+	+
Corrosion resistance	+	+	+	+	+

