

# Product Information



## 3360POJ108P62

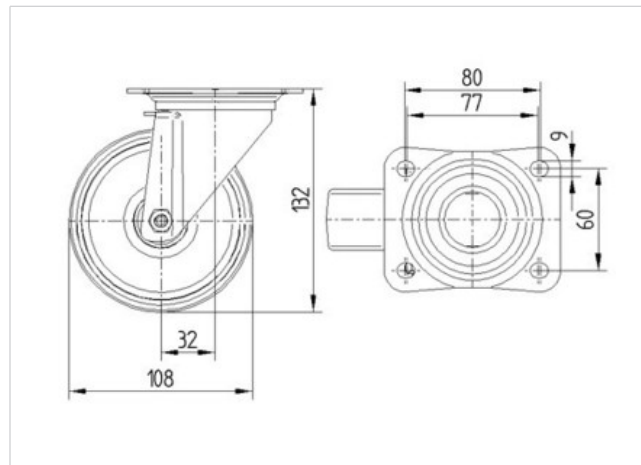
EAN 4031582302974

Swivel caster, housing made of pressed steel, bright zinc plated, blue passivated, double ball bearing swivel head, wheel axle with nut, dustguard. Wheel center made of Polypropylene, with threadguard, roller bearing, plate fitting

### Technical Data

Wheel diameter	4.25 in
Tread width	1.42 in
Plate size	4.13 x 3.35 in
Plate hole centers	3.15/3.03 x 2.36 in
Plate hole	0.35 in
Offset	1.26 in
Swivel Interference	6.77 in
Overall height	5.20 in
Temperature	- 4 / + 140 °F
Standard	EN 12532
Weight	1.283 lbs
Load capacity (dynamic)	330 lbs
Load capacity (static)	660 lbs
Swivel Radius	3.39 in
Hardness of tread	D 65 Shore

Roll performance	+	+	+	+	+
Movement noise	+	+	+	+	+
Attrition	+	+	+	+	+
Corrosion resistance	+	+	+	+	+



# Product Information



## 3360POJ108P62

EAN 4031582302974

