

# Product Information



## 3477PVO080P62

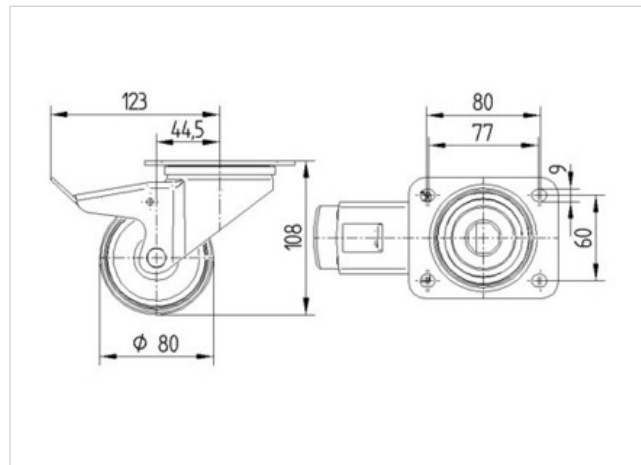
EAN 4031582305586

Swivel caster with total lock, trailing end of caster, housing made of pressed steel, bright zinc plated, blue passivated, double ball bearing swivel head, wheel axle with nut, dustguard. Wheel center made of Polypropylene, Tread: solid rubber, black, plain bearing, plate fitting



### Technical Data

Wheel diameter	3.15 in
Tread width	1.38 in
Plate size	4.13 x 3.35 in
Plate hole centers	3.15/3.03 x 2.36 in
Plate hole	0.35 in
Offset	1.75 in
Swivel Interference	9.69 in
Overall height	4.25 in
Temperature	- 4 / + 140 °F
Standard	EN 12532
Weight	2.026 lbs
Load capacity (dynamic)	155 lbs
Load capacity (static)	310 lbs
Swivel Radius	4.84 in
Hardness of tread	A 85 Shore



Roll performance	+	+	+	+	+
Movement noise	+	+	+	+	+
Attrition	+	+	+	+	+
Corrosion resistance	+	+	+	+	+

# Product Information



**3477PVO080P62**

EAN 4031582305586

