

Product Information



3640IEP125P63

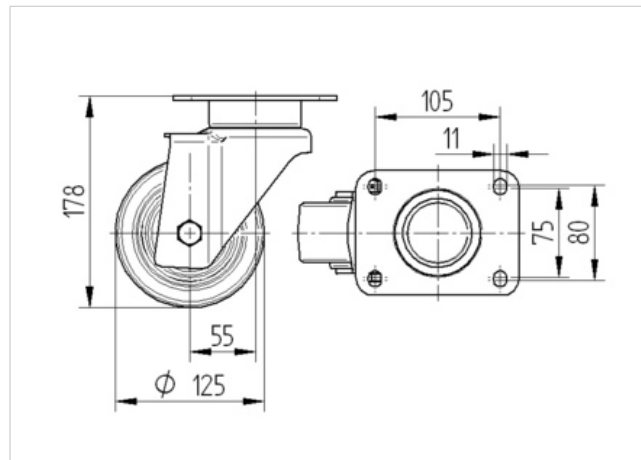
EAN 4031582337143

Swivel caster, housing made of heavy pressed steel, bright zinc plated, blue passivated, precision ball bearing swivel head, sealed, wheel axle with nut. Wheel center made of Aluminum, Tread: black elastic-tire, vulcanized, precision ball bearing, plate fitting



Technical Data

Wheel diameter	4.92 in
Tread width	1.97 in
Plate size	5.39 x 4.13 in
Plate hole centers	4.13 x 3.15/2.95 in
Plate hole	0.43 in
Offset	2.17 in
Swivel Interference	9.25 in
Overall height	7.01 in
Temperature	- 4 / + 185 °F
Standard	EN 12532
Weight	6.744 lbs
Load capacity (dynamic)	660 lbs
Load capacity (static)	1325 lbs
Swivel Radius	4.63 in
Hardness of tread	A 67 Shore



Roll performance	+	+	+	+	+
Movement noise	+	+	+	+	+
Attrition	+	+	+	+	+
Corrosion resistance	+	+	+	+	+

Product Information



3640IEP125P63

EAN 4031582337143

