

# Product Information



## 3641IEP125P63

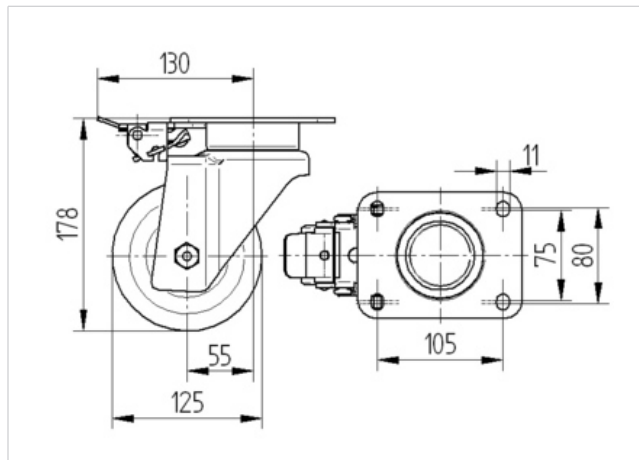
EAN 4031582337235

Swivel caster with directional lock, housing made of heavy pressed steel, bright zinc plated, blue passivated, precision ball bearing swivel head, sealed, wheel axle with nut. Wheel center made of Aluminum, Tread: black elastic-tire, vulcanized, precision ball bearing, plate fitting

**Hint:** This caster can be fitted with a directional lock. However, the lock does not come as standard and has to be ordered as an added option.

### Technical Data

Wheel diameter	4.92 in
Tread width	1.97 in
Plate size	5.39 x 4.13 in
Plate hole centers	4.13 x 3.15/2.95 in
Plate hole	0.43 in
Offset	2.17 in
Swivel Interference	12.20 in
Overall height	7.01 in
Temperature	- 4 / + 185 °F
Standard	EN 12532
Weight	6.656 lbs
Load capacity (dynamic)	660 lbs
Load capacity (static)	1325 lbs
Hardness of tread	A 67 Shore



Roll performance	+	+	+	+	+
Movement noise	+	+	+	+	+
Attrition	+	+	+	+	+
Corrosion resistance	+	+	+	+	+

# Product Information



## 3641IEP125P63

EAN 4031582337235

