

# Product Information



## ITP200x50-Ø25 convex

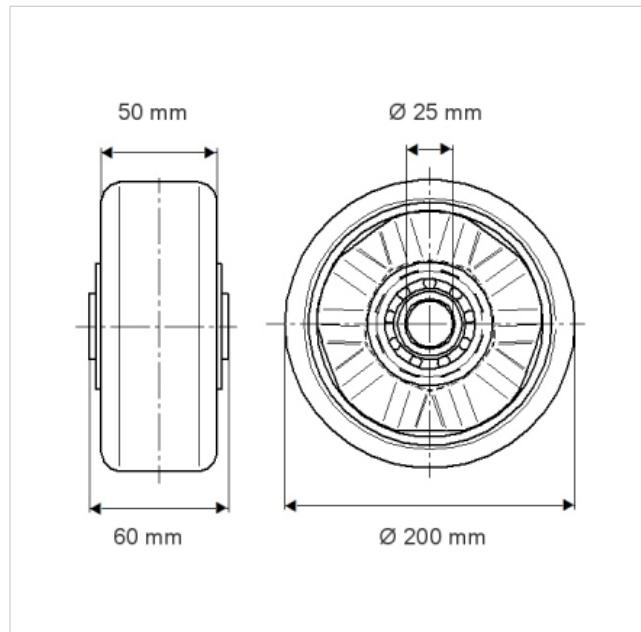
EAN 4031582330564

Wheel center made of Aluminum, Tread:  
Polyurethane, casted, precision ball bearing

### Technical Data

Wheel diameter	7.87 in
Tread width	1.97 in
Axle Hole-Ø	0.98 in
Hub length	2.36 in
Temperature	- 4 / + 140 °F
Standard	EN 12532
Load capacity (dynamic)	1765 lbs
Load capacity (static)	3525 lbs
Hardness of tread	A 92 Shore

Roll performance	+	+	+	+	+
Movement noise	+	+	+	+	+
Attrition	+	+	+	+	+
Corrosion resistance	+	+	+	+	+



# Product Information



## ITP200x50-Ø25 convex

EAN 4031582330564

