

# Product Information



## MOP400x110-Ø80

EAN 4031582332322

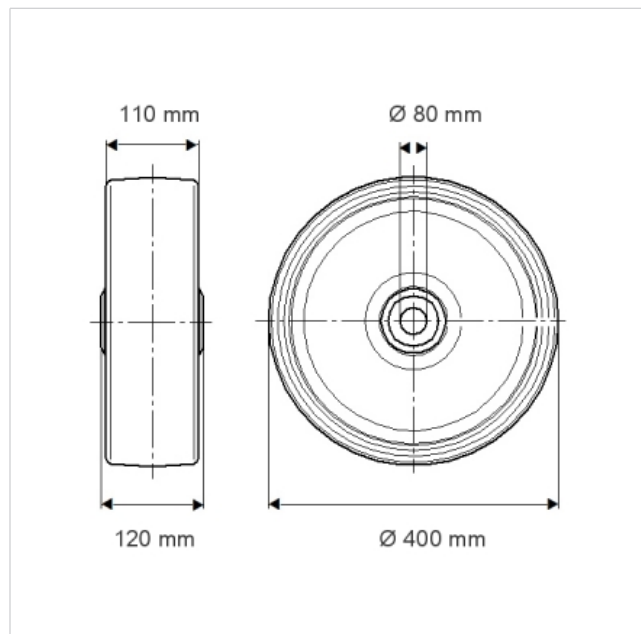
Wheel center made of Polyamide, extra-heavy duty model, precision ball bearing

### Technical Data

Wheel diameter	15.75 in
Tread width	4.33 in
Axle Hole-Ø	3.15 in
Hub length	4.72 in
Temperature	- 40 / + 176 °F
Standard	EN 12533
Weight	39.410 lbs
Load capacity (dynamic)	16535 lbs
Load capacity (static)	33070 lbs
Hardness of tread	D 75 Shore
Bearing	6216



Roll performance	+	+	+	+	+
Movement noise	+	+	+	+	+
Attrition	+	+	+	+	+
Corrosion resistance	+	+	+	+	+



# Product Information



## MOP400x110-Ø80

EAN 4031582332322

