

Product Information



3477DVR100P62

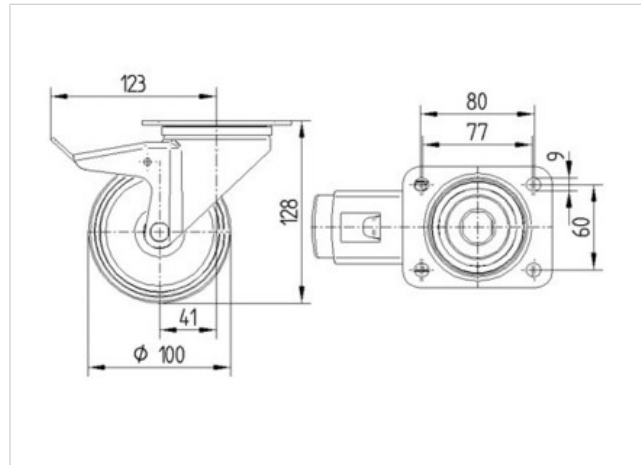
EAN 4031582050226

Swivel caster with total lock, trailing end of caster, housing made of pressed steel, bright zinc plated, blue passivated, double ball bearing swivel head, wheel axle with nut, dustguard. Wheel center made of pressed steel, Tread: solid rubber, black, roller bearing, plate fitting



Technical Data

Wheel diameter	3.94 in
Tread width	1.18 in
Plate size	4.13 x 3.35 in
Plate hole centers	3.15/3.03 x 2.36 in
Plate hole	0.35 in
Offset	1.61 in
Swivel Interference	9.69 in
Overall height	5.04 in
Temperature	- 4 / + 140 °F
Standard	EN 12532
Weight	2.474 lbs
Load capacity (dynamic)	155 lbs
Load capacity (static)	310 lbs
Swivel Radius	4.84 in
Hardness of tread	A 85 Shore



Roll performance	+	+	+	+	+
Movement noise	+	+	+	+	+
Attrition	+	+	+	+	+
Corrosion resistance	+	+	+	+	+

Product Information



3477DVR100P62

EAN 4031582050226

