

Product Information



ETX085x110-Ø25 HL115-A

EAN 4031582331004

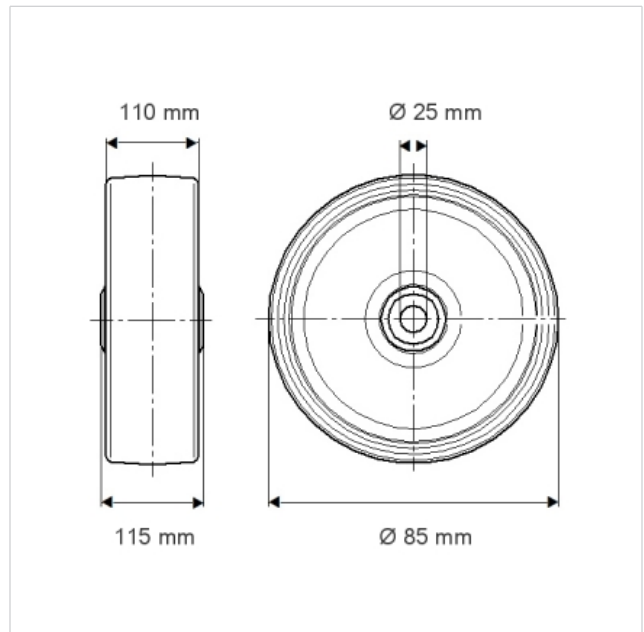
Wheel center made of steel, tread made of Polyurethane, casted, precision ball bearing, sealed

Technical Data

Wheel diameter	3.35 in
Tread width	4.33 in
Axle Hole-Ø	0.98 in
Hub length	4.53 in
Temperature	- 4 / + 140 °F
Weight	3.525 lbs
Load capacity (dynamic)	2205 lbs
Load capacity (static)	4410 lbs
Hardness of tread	A 92 Shore
Bearing	6006 2RS



Roll performance	+	+	+	+	+
Movement noise	+	+	+	+	+
Attrition	+	+	+	+	+
Corrosion resistance	+	+	+	+	+



Product Information



ETX085x110-Ø25 HL115-A

EAN 4031582331004

