

Product Information



FTF215x79-Ø60-5xØ11

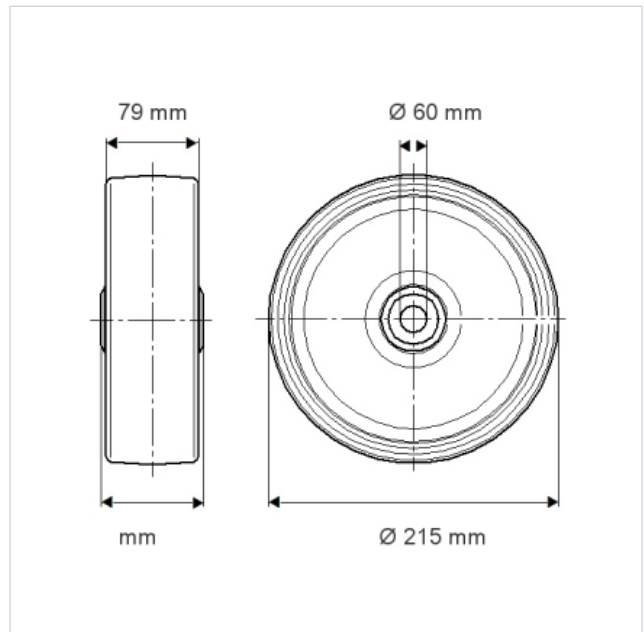
EAN 4031582331806

Drive wheel, wheel center made of cast iron, painted, tread made Polyurethane, casted

Technical Data

Wheel diameter	8.46 in
Tread width	3.11 in
Axle Hole-Ø	2.36 in
Temperature	- 4 / + 140 °F
Weight	9.921 lbs
Hardness of tread	A 92 Shore
Hole-Ø	3.62 in
Fitting-Hole-Ø	0.43 in

Roll performance	+	+	+	+	+
Movement noise	+	+	+	+	+
Attrition	+	+	+	+	+
Corrosion resistance	+	+	+	+	+



Product Information



FTF215x79-Ø60-5xØ11

EAN 4031582331806

