

Product Information



FTF250x105-Ø80-5xØ16

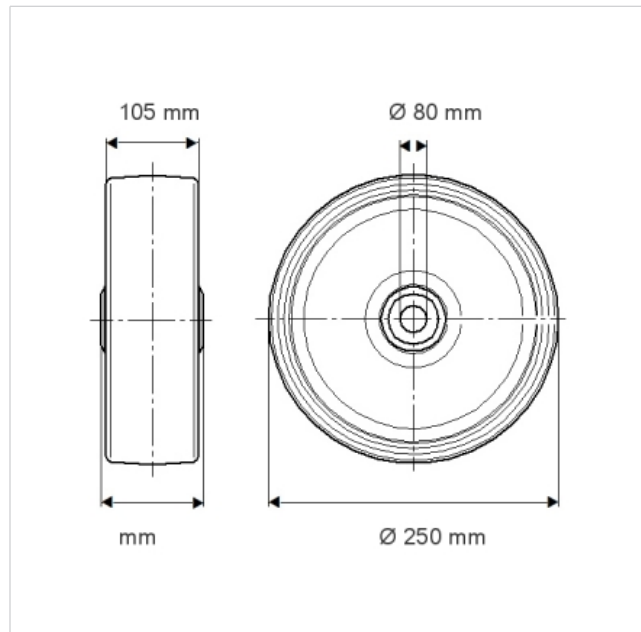
EAN 4031582331837

Drive wheel, wheel center made of cast iron, painted, tread made Polyurethane, casted

Technical Data

Wheel diameter	9.84 in
Tread width	4.13 in
Axle Hole-Ø	3.15 in
Temperature	- 4 / + 140 °F
Weight	18.603 lbs
Hole-Ø	4.41 in
Fitting-Hole-Ø	0.63 in

Roll performance	+	+	+	+	+
Movement noise	+	+	+	+	+
Attrition	+	+	+	+	+
Corrosion resistance	+	+	+	+	+



Product Information



FTF250x105-Ø80-5xØ16

EAN 4031582331837

