

Product Information



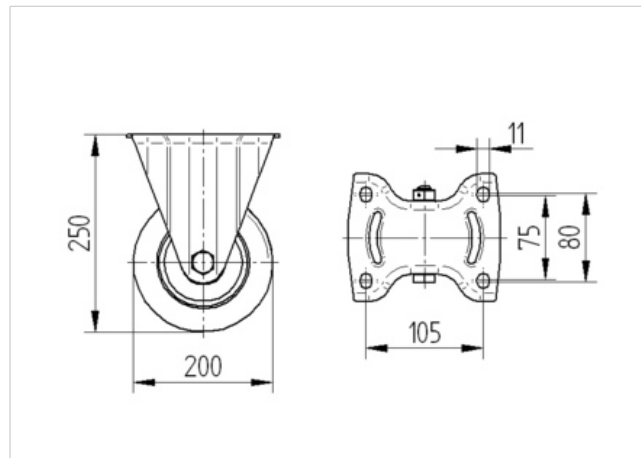
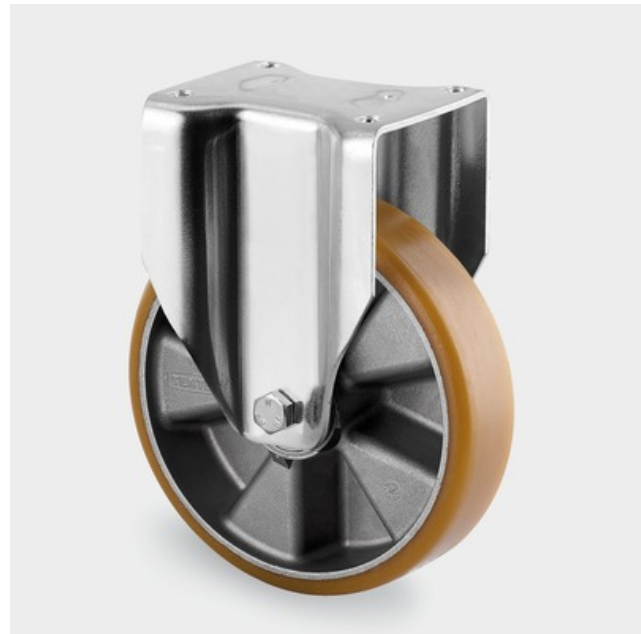
3648ITP200P63 Flat

EAN 4031582337402

Fixed caster, Fork made of heavy pressed steel, bright zinc plated, blue passivated, wheel axle with nut, Wheel center made of Aluminum, Tread: Polyurethane, casted, precision ball bearing, plate fitting

Technical Data

Wheel diameter	7.87 in
Tread width	1.97 in
Plate size	5.51 x 4.33 in
Plate hole centers	4.13 x 3.15/2.95 in
Plate hole	0.43 in
Overall height	9.84 in
Temperature	- 4 / + 140 °F
Standard	EN 12532
Weight	6.468 lbs
Load capacity (dynamic)	1325 lbs
Load capacity (static)	2645 lbs
Hardness of tread	A 92 Shore



Roll performance	+	+	+	+	+
Movement noise	+	+	+	+	+
Attrition	+	+	+	+	+
Corrosion resistance	+	+	+	+	+

Product Information



3648ITP200P63 Flat

EAN 4031582337402

