

# Product Information



## LEVINA

### 5370PJP125P30-11

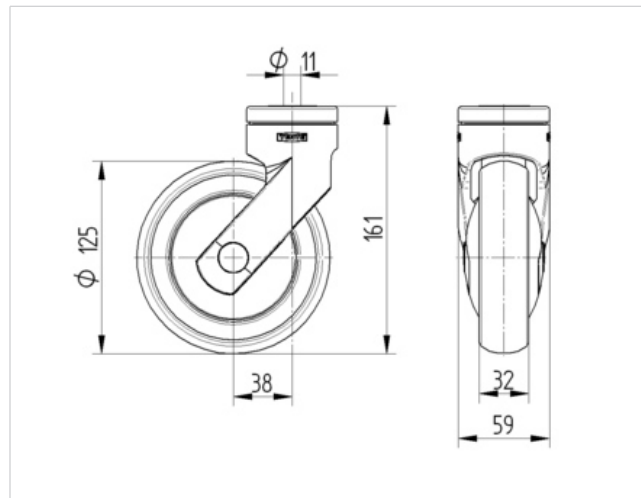
EAN 4031582324594

Swivel caster, housing and wheels made from high grade synthetic materials, double ball bearing swivel head. Wheel center made of Polypropylene, Tread: TENTEprene (thermoplastic rubber), grey non-marking, precision ball bearing, bolt hole

#### Technical Data

Wheel diameter	4.92 in
Tread width	1.26 in
Center hole	0.43 in
Offset	1.50 in
Swivel Interference	7.91 in
Overall height	6.34 in
Temperature	- 14 / + 104 °F
Standard	EN 12530
Weight	1.157 lbs
Load capacity (dynamic)	220 lbs
Load capacity (static)	440 lbs
Swivel Radius	3.96 in
Hardness of tread	A 87 Shore

Roll performance	+	+	+	+	+
Movement noise	+	+	+	+	+
Attrition	+	+	+	+	+
Corrosion resistance	+	+	+	+	+



# Product Information



## LEVINA

**5370PJP125P30-11**

EAN 4031582324594

