

Product Information



3478ITP100P63

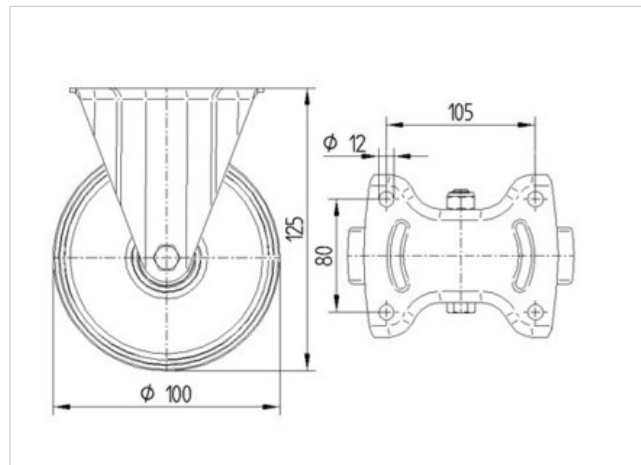
EAN 4031582030709

Fixed caster, Fork made of pressed steel, bright zinc plated, blue passivated, wheel axle with nut, Wheel center made of Aluminum, Tread: Polyurethane, casted, precision ball bearing, with threadguards, plate fitting

Technical Data

Wheel diameter	3.94 in
Tread width	1.57 in
Plate size	5.39 x 4.53 in
Plate hole centers	4.13 x 3.15/2.95 in
Plate hole	0.43 in
Overall height	4.92 in
Temperature	- 4 / + 140 °F
Standard	EN 12532
Weight	1.969 lbs
Load capacity (dynamic)	660 lbs
Load capacity (static)	1325 lbs
Hardness of tread	A 92 Shore

Roll performance	+	+	+	+	+
Movement noise	+	+	+	+	+
Attrition	+	+	+	+	+
Corrosion resistance	+	+	+	+	+



Product Information



3478ITP100P63

EAN 4031582030709

