

# Product Information



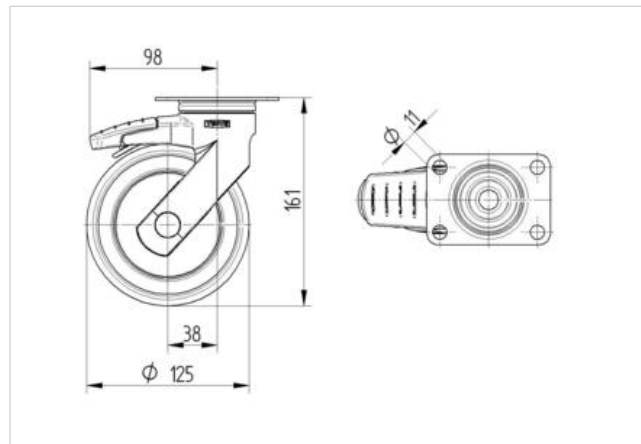
## LEVINA 5387PJC125P51

EAN 4031582368888

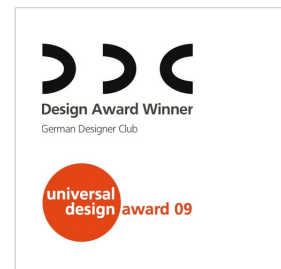
Swivel caster with total lock, trailing end of caster, housing made from high grade synthetic materials with metal parts made of Stainless Steel, double ball bearing swivel head. Wheel center made of Polypropylene, Tread: TENTEprene (thermoplastic rubber), grey non-marking, with threadguards, precision ball bearing, stainless, plate fitting  
**Hint:** These casters are available with grey locking lever.



Technical Data	
Wheel diameter	4.92 in
Tread width	1.26 in
Plate size	3.74 x 2.76 in
Plate hole centers	2.95 x 1.97 in
Plate hole	0.43 in
Offset	1.50 in
Swivel Interference	7.91 in
Overall height	6.50 in
Temperature	- 14 / + 104 °F
Standard	EN 12530
Weight	1.420 lbs
Load capacity (dynamic)	220 lbs
Load capacity (static)	440 lbs
Swivel Radius	3.96 in
Hardness of tread	A 87 Shore



Roll performance	+	+	+	+	+
Movement noise	+	+	+	+	+
Attrition	+	+	+	+	+
Corrosion resistance	+	+	+	+	+



# Product Information



**LEVINA**  
**5387PJC125P51**  
EAN 4031582368888

