

Product Information



3472DVR200P63

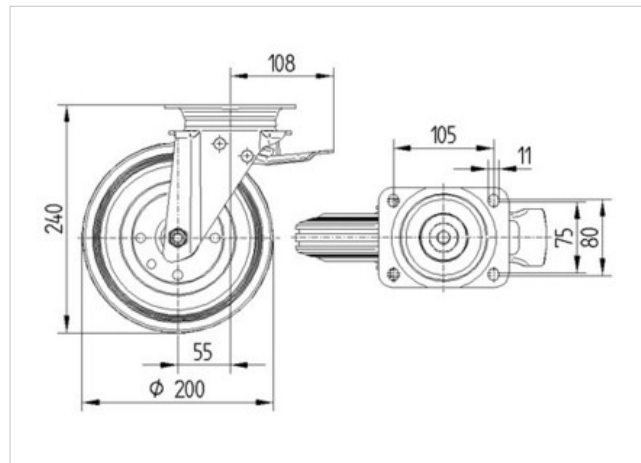
EAN 4031582304893

Swivel caster with total lock, leading end of caster, housing made of pressed steel, bright zinc plated, blue passivated, double ball bearing swivel head, wheel axle with nut, dustguard. Wheel center made of pressed steel, Tread: solid rubber, black, roller bearing, plate fitting

Technical Data

Wheel diameter	7.87 in
Tread width	1.97 in
Plate size	5.39 x 4.13 in
Plate hole centers	4.13 x 3.15/2.95 in
Plate hole	0.43 in
Offset	2.17 in
Swivel Interference	10.63 in
Overall height	9.45 in
Temperature	- 4 / + 140 °F
Standard	EN 12532
Weight	7.158 lbs
Load capacity (dynamic)	450 lbs
Load capacity (static)	905 lbs
Hardness of tread	A 85 Shore

Roll performance	+	+	+	+	+
Movement noise	+	+	+	+	+
Attrition	+	+	+	+	+
Corrosion resistance	+	+	+	+	+



Product Information



3472DVR200P63

EAN 4031582304893

