

Product Information



9688FVP300P64

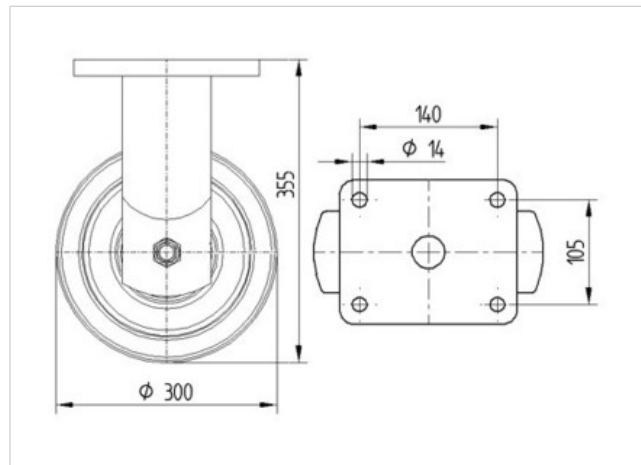
EAN 4031582316391

Fixed caster, Fork and plate steel welded, bright zinc plated, blue passivated, wheel axle with nut, Wheel center made of cast iron, Tread: solid rubber, black, precision ball bearing, plate fitting

Technical Data

Wheel diameter	11.81 in
Tread width	3.35 in
Plate size	6.89 x 5.51 in
Plate hole centers	5.51 x 4.13 in
Plate hole	0.59 in
Overall height	13.98 in
Temperature	- 4 / + 185 °F
Standard	EN 12533
Weight	44.981 lbs
Load capacity (dynamic)	1765 lbs
Load capacity (static)	3525 lbs
Hardness of tread	A 70 Shore

Roll performance	+	+	+	+	+
Movement noise	+	+	+	+	+
Attrition	+	+	+	+	+
Corrosion resistance	+	+	+	+	+



Product Information



9688FVP300P64

EAN 4031582316391

