

Product Information



LEVINA

5371PJP125P30-11

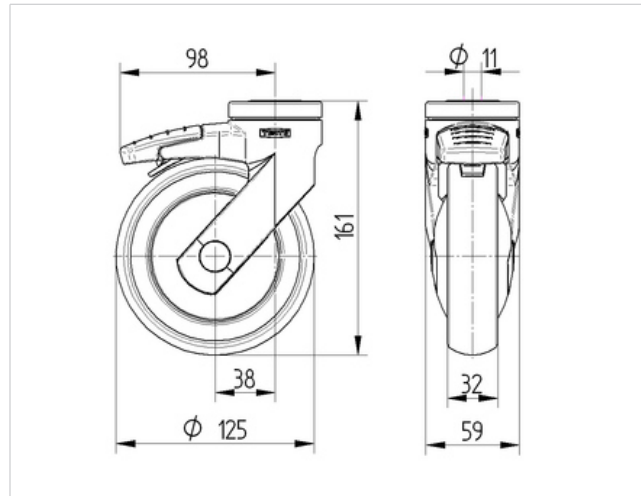
EAN 4031582351736

Swivel caster with directional lock, housing and wheels made from high grade synthetic materials, double ball bearing swivel head. Wheel center made of Polypropylene, Tread: TENTEprene (thermoplastic rubber), grey non-marking, precision ball bearing, bolt hole



Technical Data

Wheel diameter	4.92 in
Tread width	1.26 in
Center hole	0.43 in
Offset	1.50 in
Swivel Interference	7.91 in
Overall height	6.34 in
Temperature	- 14 / + 104 °F
Standard	EN 12530
Weight	1.261 lbs
Load capacity (dynamic)	220 lbs
Load capacity (static)	440 lbs
Swivel Radius	3.96 in
Hardness of tread	A 87 Shore



Roll performance	+	+	+	+	+
Movement noise	+	+	+	+	+
Attrition	+	+	+	+	+
Corrosion resistance	+	+	+	+	+



Product Information



LEVINA

5371PJP125P30-11

EAN 4031582351736

