

# Product Information



## 9680TOO160P63

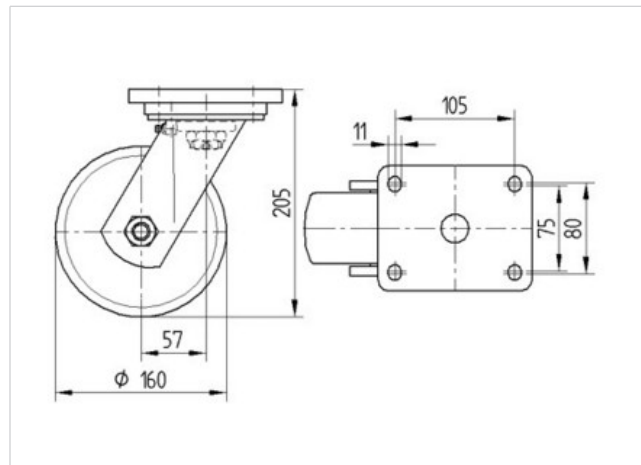
EAN 4031582315264

Swivel caster, housing and plate steel-welded, bright zinc plated, blue passivated, sealed single swivel double ball bearing, threaded king pin and locking nut secured, grease nipple, wheel axle with nut. Wheel center made of Polyamide, heavy duty, plain bearing, plate fitting



### Technical Data

Wheel diameter	6.3 in
Tread width	1.97 in
Plate size	5.31 x 4.33 in
Plate hole centers	4.13 x 3.15/2.95 in
Plate hole	0.43 in
Offset	2.28 in
Swivel Interference	10.87 in
Overall height	8.07 in
Temperature	- 40 / + 176 °F
Standard	EN 12533
Weight	8.448 lbs
Load capacity (dynamic)	1875 lbs
Load capacity (static)	3750 lbs
Swivel Radius	5.43 in
Hardness of tread	D 75 Shore



Roll performance	+	+	+	+	+
Movement noise	+	+	+	+	+
Attrition	+	+	+	+	+
Corrosion resistance	+	+	+	+	+

# Product Information



## 9680TOO160P63

EAN 4031582315264

