

# Product Information



## 9688TOO160P63

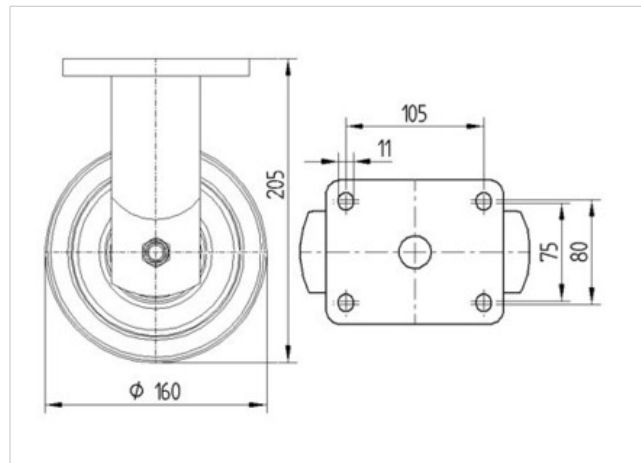
EAN 4031582316582

Fixed caster, Fork and plate steel welded, bright zinc plated, blue passivated, wheel axle with nut, Wheel center made of Polyamide, heavy duty, plain bearing, plate fitting

### Technical Data

Wheel diameter	6.3 in
Tread width	1.97 in
Plate size	5.31 x 4.33 in
Plate hole centers	4.13 x 3.15/2.95 in
Plate hole	0.43 in
Overall height	8.07 in
Temperature	- 40 / + 176 °F
Standard	EN 12533
Weight	6.202 lbs
Load capacity (dynamic)	1875 lbs
Load capacity (static)	3750 lbs
Hardness of tread	D 75 Shore

Roll performance	+	+	+	+	+
Movement noise	+	+	+	+	+
Attrition	+	+	+	+	+
Corrosion resistance	+	+	+	+	+



# Product Information



## 9688TOO160P63

EAN 4031582316582

