

Product Information



9688FT P200P64

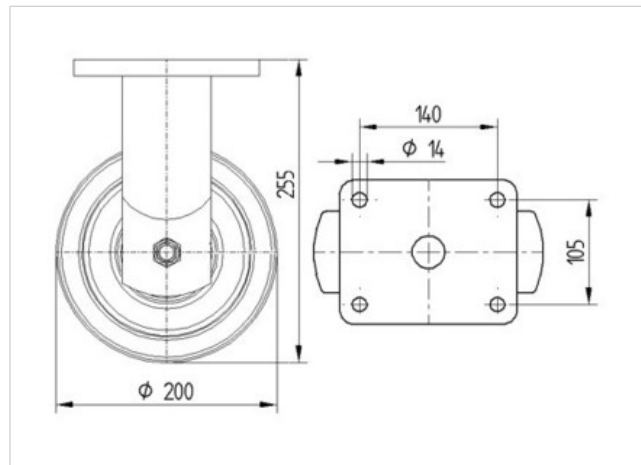
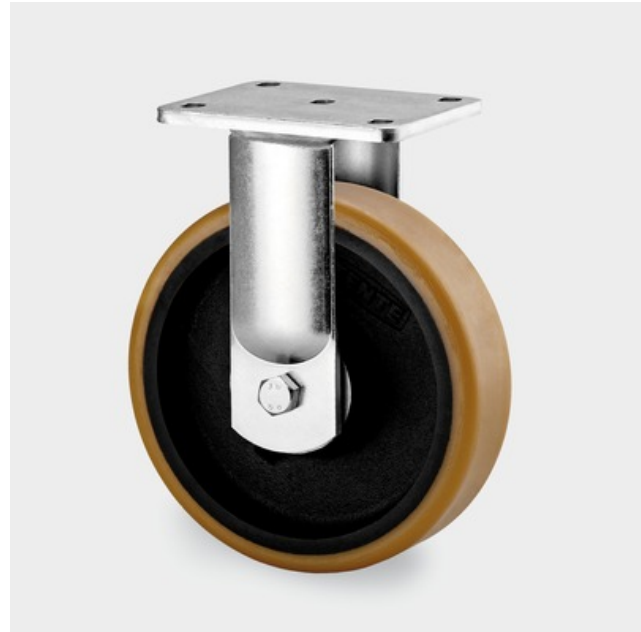
EAN 4031582316230

Fixed caster, Fork and plate steel welded, bright zinc plated, blue passivated, wheel axle with nut, Wheel center made of cast iron, Tread: Polyurethane, casted, precision ball bearing, plate fitting

Technical Data

Wheel diameter	7.87 in
Tread width	3.15 in
Plate size	6.89 x 5.51 in
Plate hole centers	5.51 x 4.13 in
Plate hole	0.59 in
Overall height	10.04 in
Temperature	- 4 / + 140 °F
Standard	EN 12533
Weight	27.159 lbs
Load capacity (dynamic)	3085 lbs
Load capacity (static)	6175 lbs
Hardness of tread	A 92 Shore

Roll performance	+	+	+	+	+
Movement noise	+	+	+	+	+
Attrition	+	+	+	+	+
Corrosion resistance	+	+	+	+	+



Product Information



9688FT P200P64

EAN 4031582316230

