

# Product Information



## LEVINA

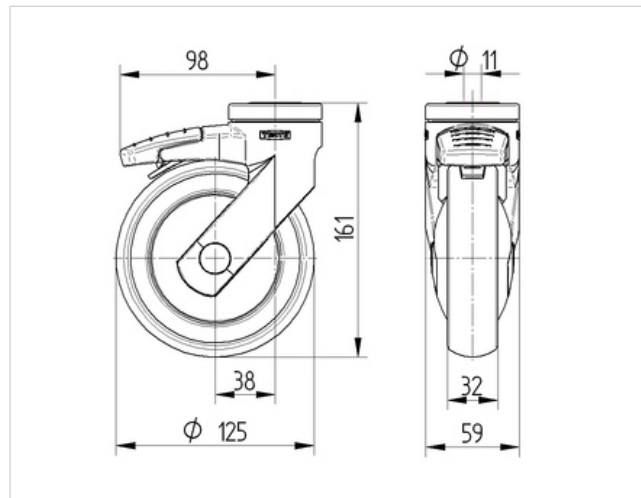
### 5377PIP125P30-11

EAN 4031582363036

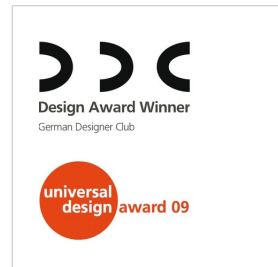
Swivel caster with total lock, trailing end of caster, housing and wheels made from high grade synthetic materials, double ball bearing swivel head. Wheel center made of Polypropylene, Tread: solid rubber, grey non-marking, precision ball bearing, bolt hole  
**Hint:** These casters are available with grey locking lever.



Technical Data	
Wheel diameter	4.92 in
Tread width	1.26 in
Center hole	0.43 in
Offset	1.50 in
Swivel Interference	7.91 in
Overall height	6.34 in
Temperature	- 14 / + 104 °F
Standard	EN 12530
Weight	1.261 lbs
Load capacity (dynamic)	175 lbs
Load capacity (static)	355 lbs
Swivel Radius	3.96 in
Hardness of tread	A 75 Shore



Roll performance	+	+	+	+	+
Movement noise	+	+	+	+	+
Attrition	+	+	+	+	+
Corrosion resistance	+	+	+	+	+



# Product Information



## LEVINA

**5377PIP125P30-11**

EAN 4031582363036

