

Product Information



9950FT P300P68

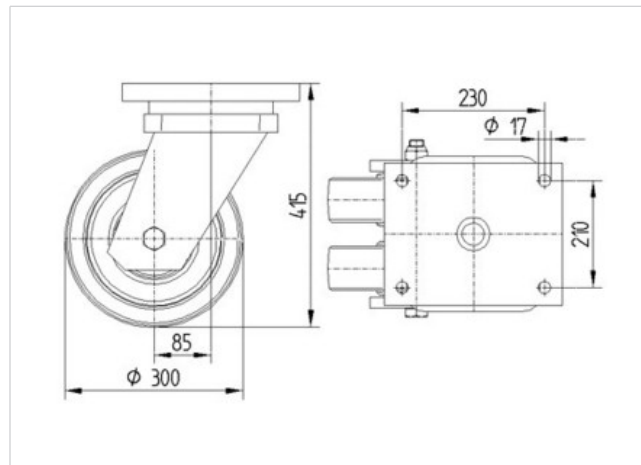
EAN 4031582316827

Swivel caster, housing and plate steel-welded, zinc plated, blue passivated, sealed swivel bearing with dual purpose bearing and tapered roller bearing, threaded king pin and locking nut secured, grease nipple, wheel axle with nut. Wheel center made of cast iron, Tread: Polyurethane, casted, precision ball bearing, plate fitting



Technical Data

Wheel diameter	11.81 in
Tread width	3.15 in
Plate size	10.63 x 9.84 in
Plate hole centers	9.06 x 8.27 in
Plate hole	0.67 in
Offset	3.15 in
Swivel Interference	18.11 in
Overall height	16.34 in
Temperature	- 4 / + 140 °F
Standard	EN 12533
Weight	132.057 lbs
Load capacity (dynamic)	8820 lbs
Load capacity (static)	17635 lbs
Swivel Radius	9.06 in
Hardness of tread	A 92 Shore



Roll performance	+	+	+	+	+
Movement noise	+	+	+	+	+
Attrition	+	+	+	+	+
Corrosion resistance	+	+	+	+	+

Product Information



9950FT P300P68

EAN 4031582316827

