

Product Information



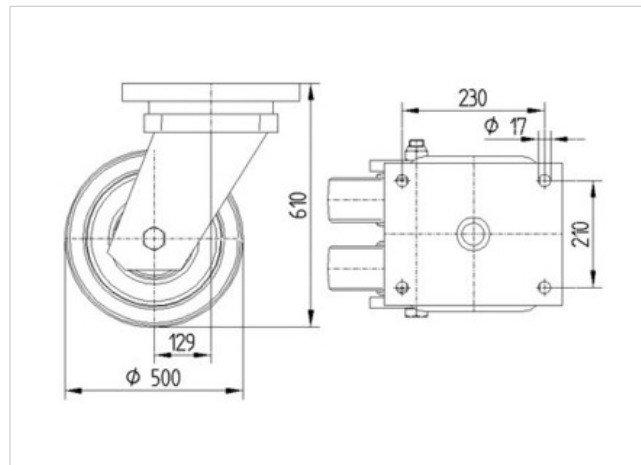
9950STP500P68

EAN 4031582316858

Swivel caster, housing and plate steel-welded, zinc plated, blue passivated, sealed swivel bearing with dual purpose bearing and tapered roller bearing, threaded king pin and locking nut secured, grease nipple, wheel axle with nut. Wheel center made of pressed steel, lacquered, heavy duty, Tread: Polyurethane, casted, precision ball bearing, plate fitting



Technical Data	
Wheel diameter	19.69 in
Tread width	3.15 in
Plate size	10.63 x 9.84 in
Plate hole centers	9.06 x 8.27 in
Plate hole	0.67 in
Offset	5.12 in
Swivel Interference	29.92 in
Overall height	24.02 in
Temperature	- 4 / + 140 °F
Standard	EN 12533
Weight	275.496 lbs
Load capacity (dynamic)	13230 lbs
Load capacity (static)	26455 lbs
Swivel Radius	14.96 in
Hardness of tread	A 92 Shore



Roll performance	+	+	+	+	+
Movement noise	+	+	+	+	+
Attrition	+	+	+	+	+
Corrosion resistance	+	+	+	+	+

Product Information



9950STP500P68

EAN 4031582316858

