

Product Information



9958STP500P68

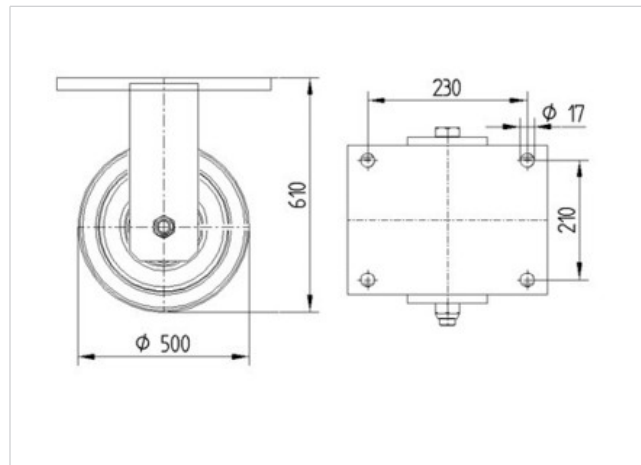
EAN 4031582317039

Fixed caster, Fork and plate steel welded, zinc plated, blue passivated, wheel axle with nut, Wheel center made of pressed steel, lacquered, heavy duty, Tread: Polyurethane, casted, precision ball bearing, plate fitting

Technical Data

Wheel diameter	19.69 in
Tread width	3.15 in
Plate size	10.63 x 9.84 in
Plate hole centers	9.06 x 8.27 in
Plate hole	0.67 in
Overall height	24.02 in
Temperature	- 4 / + 140 °F
Standard	EN 12533
Weight	228.029 lbs
Load capacity (dynamic)	13230 lbs
Load capacity (static)	26455 lbs
Hardness of tread	A 92 Shore

Roll performance	+	+	+	+	+
Movement noise	+	+	+	+	+
Attrition	+	+	+	+	+
Corrosion resistance	+	+	+	+	+



Product Information



9958STP500P68

EAN 4031582317039

