

Product Information



STP500x80-Ø50 HL90

EAN 4031582322293

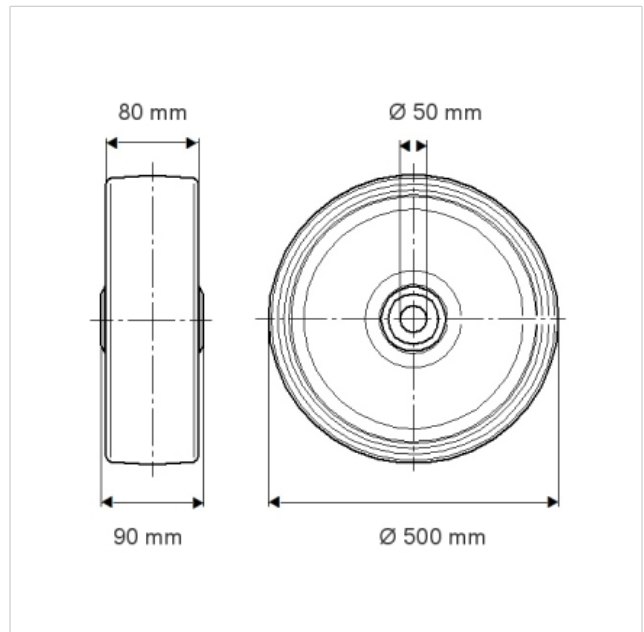
Wheel center made of pressed steel, lacquered, heavy duty, Tread: Polyurethane, casted, precision ball bearing

Technical Data

Wheel diameter	19.69 in
Tread width	3.15 in
Axle Hole-Ø	1.97 in
Hub length	3.54 in
Temperature	- 4 / + 140 °F
Standard	EN 12533
Weight	89.583 lbs
Load capacity (dynamic)	7055 lbs
Load capacity (static)	14110 lbs
Hardness of tread	A 92 Shore



Roll performance	+	+	+	+	+
Movement noise	+	+	+	+	+
Attrition	+	+	+	+	+
Corrosion resistance	+	+	+	+	+



Product Information



STP500x80-Ø50 HL90

EAN 4031582322293

