

Product Information



TOO160x50-Ø20

EAN 4031582322538

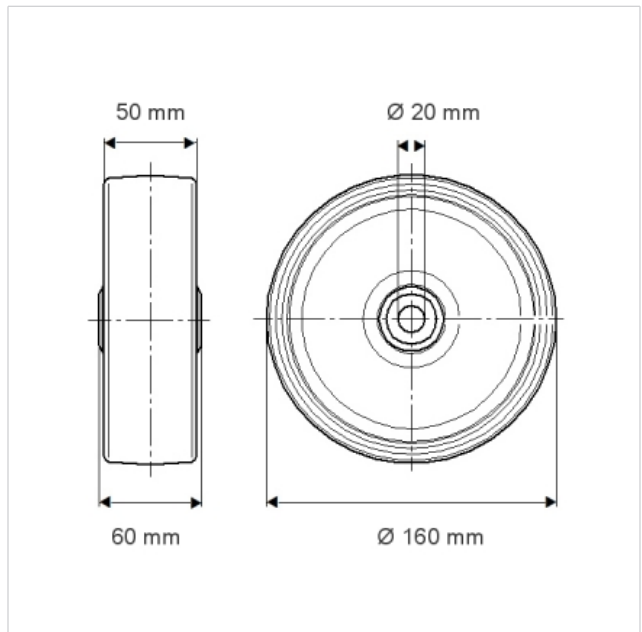
Wheel center made of Polyamide, heavy duty, plain bearing

Technical Data

Wheel diameter	6.3 in
Tread width	1.97 in
Axle Hole-Ø	0.79 in
Hub length	2.36 in
Temperature	- 40 / + 176 °F
Standard	EN 12533
Weight	1.931 lbs
Load capacity (dynamic)	1875 lbs
Load capacity (static)	3750 lbs
Hardness of tread	D 75 Shore



Roll performance	+	+	+	+	+
Movement noise	+	+	+	+	+
Attrition	+	+	+	+	+
Corrosion resistance	+	+	+	+	+



Product Information



TOO160x50-Ø20

EAN 4031582322538

